



PRODUCT OVERVIEW

The **BELLA** line of fixtures and emergency lighting units are highly versatile, slim in design and easy to install with the beghelli patented “plug-in” connection. The injection-molded housing is both corrosion and vandal resistant. The fluorescent light source provides exceptional light output. Custom signage is also available.

INSTALLATION

The **BELLA** luminaire is suitable for surface ceiling or wall mounting, using the included installation bracket. Suitable for indoor installation on normally inflammable surfaces.

EXTERNAL SPECIFICATIONS

The **BELLA** line is constructed of a corrosion, flame and vandal resistant polycarbonate housing. The UV stabilized polycarbonate lens ensures durability and superior light output. The beghelli patented “plug-in” connection makes for the easiest installation in the market.

INTERNAL SPECIFICATIONS

BELLA features a dedicated input (120v) or (277v) transformer, brown-out and short circuit protection and a fully automatic re-charge circuit that is regulated by an electronic voltage sensor. Standard 6v 7ah sealed lead calcium battery provides a minimum 120 minutes emergency duration. The integral reflector is made of self-extinguishing, UV stabilized polycarbonate. Operating temperature is 50°C .

ORDERING INFORMATION

Series	Operation	Input Voltage	Options
8320	HT (AC only)	US (120V)	SW (Special wording)
	SE (Emergency only)	US (277V)	
	SA (AC & Emergency)		

BELLA BUILDER

Series	Operation	Input Voltage	Options

EXAMPLE: 8320-SE-US
 DESCRIPTION: Bella emergency luminaire, emergency only, 120V

JOB:	TYPE:
-------------	--------------

“PLUG IN” MOUNTING

The patented “Plug-In” mounting bracket is wired and connected to a standard junction box with the included adapter plate. The BELLA unit is then snapped and locked onto the mounting bracket. When properly snapped into position, the plug (located on the unit) and the socket (located on the mounting bracket) make a complete connection. With the “Plug-In” connection system the mounting bracket can be installed prior to the BELLA unit itself. This allows for all construction finish work to be completed without any paint or physical damage to the unit. The mounting bracket also allows the BELLA unit to be easily detached and disconnected from the electrical circuit without having to unwire the unit.

BATTERY & CIRCUIT TECHNOLOGY

The BELLA SE and SA models are supplied with a 6V 7Ah maintenance free, sealed lead acid battery for emergency operation. The minimum emergency duration is 120 minutes. Emergency luminous efficiency is 50%. Recharge time of the battery is twenty-four (24) hours. The maximum battery operating temperature is 50° C.

HOUSING

The BELLA is constructed from a corrosion, flame and vandal resistant polycarbonate. The bracket connection allows installation to a standard wall mounted junction box. The plastic injected housing and lens are built for durability and superior function. The slim design allows for simplified, non-intrusive installations.

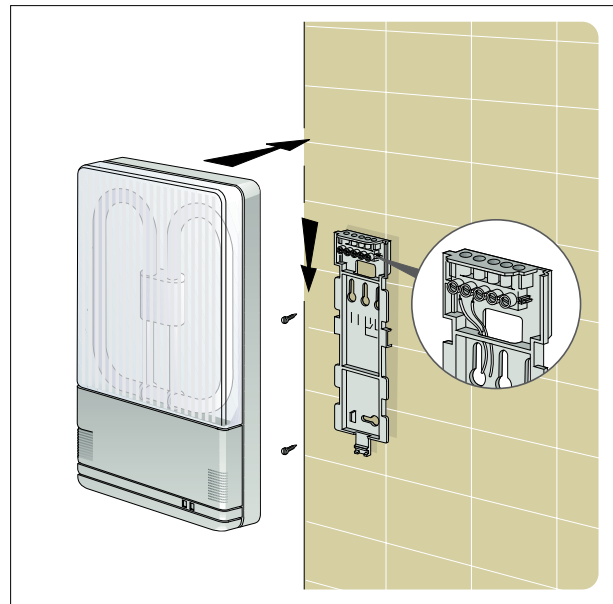
LAMP & LENS TECHNOLOGY

The BELLA is supplied standard with one (1) 22 watt circline fluorescent lamp, providing 1250 lumens and having an expected lamp life of 16,000 hours. The BELLA lens is a translucent, UV stabilized lens which facilitates consistent fixture performance. The lens completely encloses and protects the lamp from tampering. Custom & special wording is available.

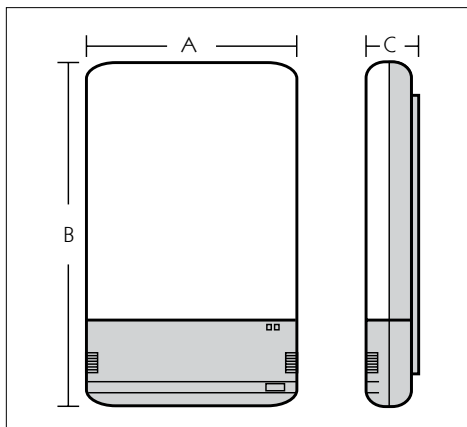
Examples of several custom lenses:

- X-Ray in Use
- Restroom Symbols
- Classroom Numbers
- On the Air
- Directional Arrows
- Library Sections

For further custom signage please consult the factory.

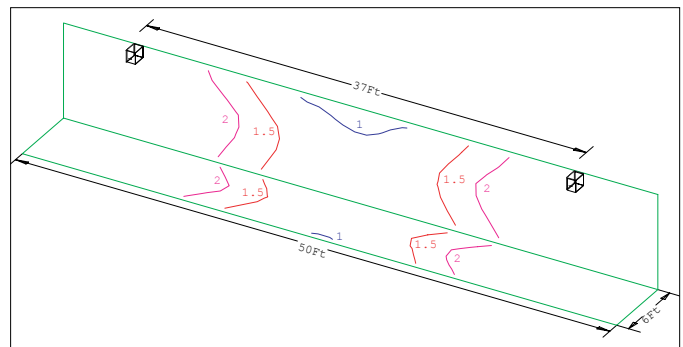


DIMENSIONS (in.)



Wattage	A"	B"	C"
	9"	13"	2"

BELLA PHOTOMETRICS



Mounting Height: 8Ft.
Room dimensions: 50Ft (L) x 6Ft (W) x 8Ft (H)
Fixture Spacing: 37Ft.
Avg. Fc.: 2.35

WARRANTY

The BELLA Series comes with a 5-year factory warranty. Lamps are not covered under the warranty. Deliberate damage, misuse, improper installation effectively cancel the warranty.