



PRODUCT OVERVIEW

The Ecco Luna is an architecturally designed emergency luminaire that performs. Italian design, high performance optics, durable polycarbonate construction, fully enclosed lamp heads, easy installation and a competitive price make the Ecco-Luna a favorite among contractors, distributors and specifiers. The vandal and impact resistant polycarbonate housing completely encloses the reflector and fully adjustable 8W lamp assemblies. Damp location option included.

EXTERNAL SPECIFICATIONS

The Ecco LUNA series housing is constructed from high quality corrosion, flame and vandal resistant polycarbonate. The highly efficient lens completely encloses and protects the units lamp assemblies. Vandal resistant latch clips ensure the integrity of the Ecco LUNA emergency lighting unit.

INTERNAL SPECIFICATIONS

The Ecco LUNA series is configured with universal 120/277 VAC input with solid state charging circuitry. Standard features include low voltage disconnect, AC lockout and brownout protection.

INSTALLATION

The Ecco LUNA emergency luminaire is suitable for surface wall or ceiling mounting. Suitable for indoor / damp installation. 120/277VAC

ORDERING INFORMATION

Series	Lamps	Operations	Input Voltage	Options
EL	28 (2x8W halogen)	SE (emergency only)	UNV (120/277V)	DL (damp locations)
				WL (wet locations)
				10L (10w halogen)
				12L (12w halogen)

ECCO LUNA BUILDER

Series	Lamps	Operation	Input Voltage	Options

EXAMPLE: EL-28SE-UNV-DL
 DESCRIPTION: EL emergency luminaire, 2x8W halogen, damp location 120/277V

JOB:	TYPE:
-------------	--------------

The **Ecco LUNA** series emergency luminaire is configured for standard operation 120/277VAC dual voltage input with current limit protection. Current charge regulator is standard. Minimum 90 minutes emergency duration. 24 hour charge time.

BATTERY & CIRCUIT TECHNOLOGY

The **Ecco LUNA** series emergency unit uses an two 6 volt 5AH sealed lead acid batteries that provides a minimum 90 minutes emergency duration. The automatic recharge circuit is regulated by an electronic volt sensor and the battery is protected by a low-voltage cut-off circuit. 120/277VAC dual voltage input. The maximum operating temperature is 50° C.

VANDAL RESISTANT DESIGN

The **Ecco LUNA** lens reflector cover has been designed to fully enclose the lamp assemblies. This protects the lamp heads from tampering and unwanted repositioning.

REFLECTOR

The **Ecco LUNA** reflector is made of injection molded, self-extinguishing, UV stabilized polycarbonate. The reflector supports components including the lamp assemblies and circuit.

HOUSING

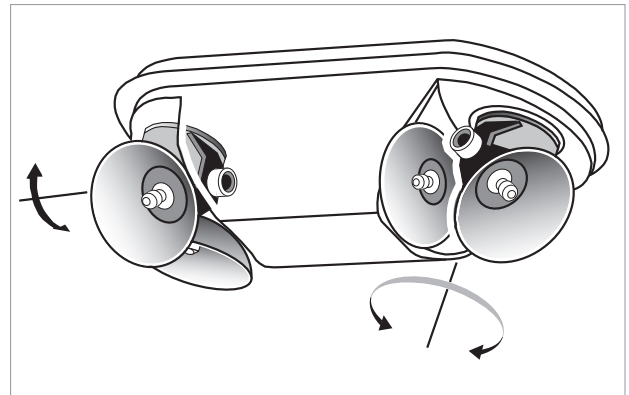
The **Ecco LUNA** series emergency luminaire is available with a standard damp location label. The **Ecco LUNA** with the damp option is an ideal solution for exterior covered breezeways, warehouses, covered corridors and high humidity regions.

HIGH-OUTPUT DESIGN

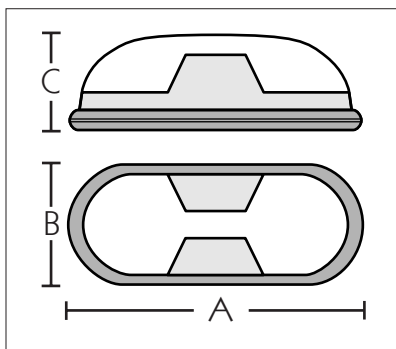
The **Ecco LUNA** incorporates an efficient and high-output lens. The diffusion lens has been designed to effectively transmit the greatest amount of luminaires with the least transmittal loss.

DIFFUSER

The **Ecco LUNA** diffuser is UV stabilized to reduce the yellowing index and provide superior light output.



DIMENSIONS (in.)



Wattage	A"	B"	C"
2x8W	17"	6 1/2"	4"

WARRANTY

The **Ecco LUNA** Series comes with a 5-year factory warranty. Lamps are not covered under the warranty. Deliberate damage, misuse, improper installation effectively cancel the warranty.