



**MECHANICAL SPECIFICATIONS**

The **HDT** is constructed from a durable, fully gasketed NEMA 4x rated PVC housing. The front access panel is hinged for trouble-free installation and maintenance. Four integrated mounting feet ensure proper, secure and accurate wall or ceiling installation on to most surfaces. The **HDT** is supplied standard in an industrial gray PVC finish. External test switch and monitor LED standard.

**CHARGER SPECIFICATIONS**

The **HDT** series utilizes a pulse switching charger that is up to 70% more efficient than older constant voltage chargers. The charger is a fully automatic current limited charger with solid state line-latched low voltage disconnect protection. All components used in the circuitry are temperature compensated. The charger also has brownout and short circuit protection. Charger status is easily determined via a dual diagnostic LED display which indicates AC/ON and High Charge. An external push button test switch allows maintenance personnel to quickly determine the operational status of the unit and lamp load.

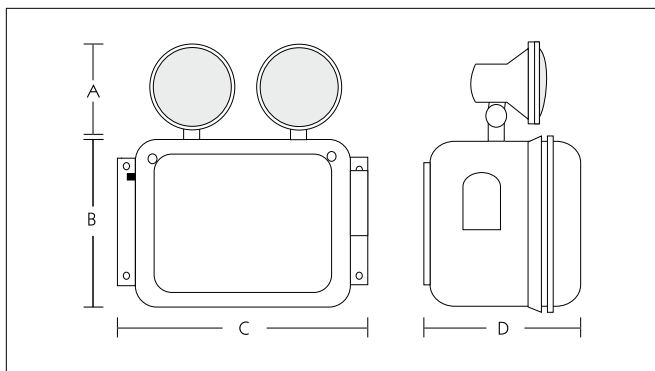
**LAMP HEAD FEATURES**

The **HDT** series is normally supplied with two (2) top mounted (LR) Par36 style 9w heads. Lamp head styles are constructed of high impact thermoplastic. Please note: (LR) Par36 style food-prep approved lenses are also available when ordering.

**BATTERY TECHNOLOGY**

The **HDT** series is designed with a maintenance free, sealed valve regulated lead acid battery that provides a minimum emergency duration of 90 minutes (for the listed rating). Recharge time of the battery is twenty-four (24) hours. The maximum working temperature is 50° C.

**DIMENSIONS (in.)**



Wattage	A"	B"	C"	D "
27W-36W	6.2"	8"	10"	5"
54W-72W	6.2"	10"	12"	7"
100W	6.2"	12"	14"	7"

**BEGHELLI AUTO-TEST (AT)**

The **HDT** auto-test feature automatically monitors the functional operation of the unit. Auto-test monitors the operation of the lamps, battery and circuitry and displays any alerts. Periodic emergency tests, up to ninety (90) minutes duration are simulated to ensure proper operation during an actual power failure. Operating status is visually indicated by multi-function LED indication.

**MODEL RATING GUIDE**

Model	Voltage	Wattage				Cabinet
		90min	120min	180min	240min	
HDT-6-27	6	27	18	12	8	A
HDT-6-36	6	36	27	18	12	A
HDT-6-54	6	54	36	27	18	B
HDT-6-72	6	72	54	36	27	B
HDT-6-100	6	100	72	54	36	C
HDT-12-36	12	36	27	18	12	A
HDT-12-54	12	54	36	27	18	B
HDT-12-72	12	72	54	36	27	B
HDT-12-100	12	100	72	54	36	C

**WARRANTY**

The **HDT** Series comes with a 5-year factory warranty. Lamps are not covered under the warranty. Deliberate damage, misuse, improper installation effectively cancel the warranty.