



INTERNAL SPECIFICATIONS

The RDO series is configured with universal 120/277 VAC input with solid state charging circuitry. Standard features include low voltage disconnect, AC lockout and brownout protection.

EXTERNAL SPECIFICATIONS

The RDO series is constructed from durable and lightweight aluminum. The standard trim plate is finished in white powder coat. External test switch and monitor LED are standard

INSTALLATIONS

The RDO emergency luminaire is suitable for ceiling recess installations. Suitable for indoor location installations. 120/277VAC.

PRODUCT OVERVIEW

The RDO series emergency luminaire has been designed to be fully recessed and blend in with the surrounding environment. The housing and gimbal assembly use corrosion and flame resistant lightweight aluminum. All RDO electronics are fully self-contained within the housing; this allows for easy handling and effortless installation. The standard trim plate comes finished in white powder coat.

ORDERING INFORMATION

Series	Operation	Lamps
RDO	SE (emergency only)	8W (halogen)
	RC (remote only)	

RDO BUILDER

Series	Operation	Lamps

EXAMPLE: RDO-SE-8W
 DESCRIPTION: RDO emergency luminaire, emergency only, 120/277V, 8W halogen, recess mount.

JOB:	TYPE:
-------------	--------------

MECHANICAL SPECIFICATIONS

The RDO is constructed with corrosion and flame resistant light-weight aluminum. The gimbal assembly allows for proper beam positioning. All electronics are fully self-contained allowing easy handling and installation. The RDO comes standard with a single 8W halogen lamp. The trim plate is finished in durable powder coat white. External test switch and monitor LED are standard.

LAMP HEAD FEATURES

The RDO series is supplied with one (1) 8 watt bi-pin halogen lamp. The fully recessed design of the RDO uses an adjustable gimbal for correct and accurate beam positioning.

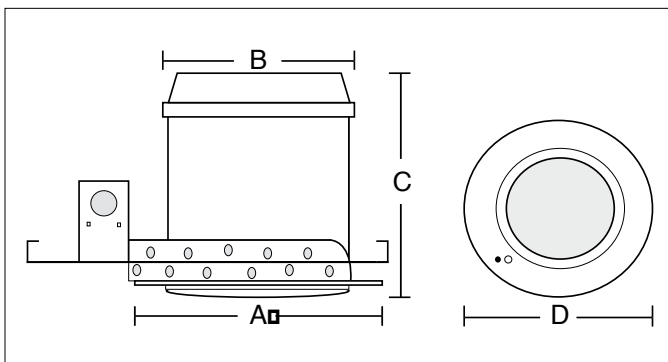
BATTERY TECHNOLOGY

The RDO series is designed with a 6V 4.5Ah maintenance free, sealed valve regulated lead acid battery that provides a minimum emergency duration of 90 minutes (for the listed rating). Re-charge time of the battery is twenty-four (24) hours. The maximum working temperature is 50° C.

CHARGER SPECIFICATIONS

The RDO series utilizes a pulse switching charger that is up to 70% more efficient than older constant voltage chargers. The charger is a fully automatic current limited charger with solid state line-latched low voltage disconnect protection. All components used in the circuitry are temperature compensated. The charger also has brownout and short circuit protection. Charger status is easily determined via a dual diagnostic LED display which indicates AC/ON and High Charge. An external push button test switch allows maintenance personnel to quickly determine the operational status of the unit and lamp load.

DIMENSIONS (in.)



Wattage	A"	B"	C"	D"
8W	9"	6.7"	7.2"	9"

WARRANTY

The RDO Series comes with a 5-year factory warranty. Lamps are not covered under the warranty. Deliberate damage, misuse, improper installation effectively cancel the warranty.