



**Planet Sun**  
PHOTOVOLTAIC SYSTEM  
Beghelli

Pronto Sole 200W

#### Pronto Sole 200W

200W of Solar Power provides enough energy to run a water pump, power flood lights, a series of ground lights for path lighting or light up remote signage. Included in this kit are two 100W Solar Modules, a charge controller with a display screen for battery information, and all cables and fuses needed to properly wire and protect your hardware. Depending on your needs - the system can be wired in 12V or 24V. Beghelli will custom design the kit and provide batteries, poles and mounting recommendations based upon your specific needs.

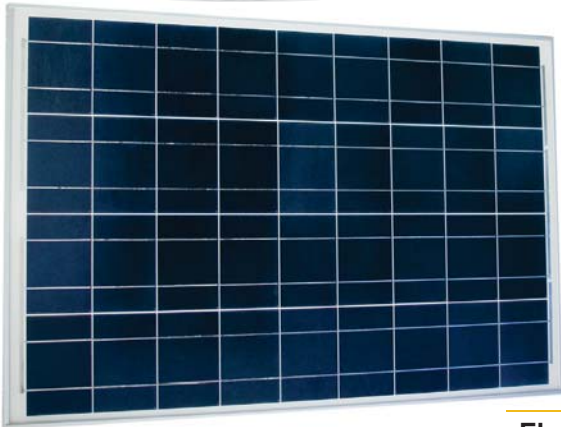


[www.beghelli.com](http://www.beghelli.com)

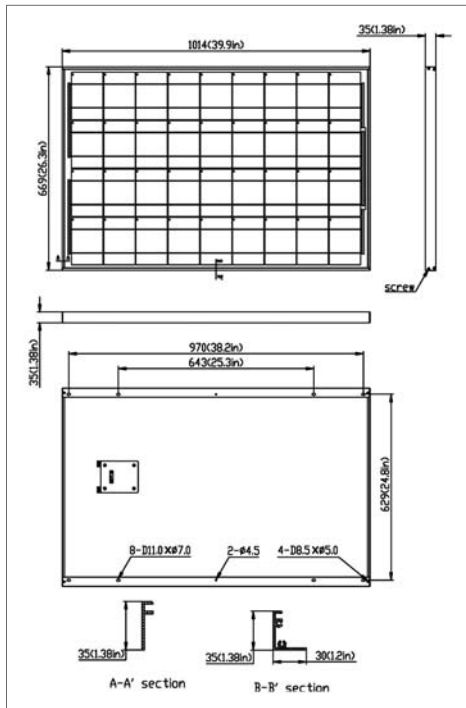
## 2X 100W Solar Modules

### Features:

- IEC61215, TUV certification
- UL 1703 certification, ETL Class I, Division 2, Groups C and D certification
- Using high efficiency 6" Multicrystalline cells.
- Using low iron tempered glass and an EVA pottant with TPT back sheet to encapsulated cells.
- Anodized aluminum frame protected structural strength.
- 10 years limited warranty of 90% power output and 25 years limited warranty of 80% power output.



### Dimensional Drawings



### Electrical Characteristics SPM100P

Power at STC(Pm)	100W
Maximum power voltage(Vpm)	18.6V
Maximum power current(Ipm)	5.38A
Open circuit voltage(Voc)	22.8V
Short circuit current(Isc)	5.76A
Tolerance	5%
Module efficiency	14.8%
Standard test conditions	Temperature 25°C, Irradiance 1000W/m <sup>2</sup> , AM=1.5
Maximum system voltage	1000V DC
Temperature coefficient	Isc:0.05%/K Voc:-0.36%/K Pmax:-0.46%/K
Series fuse	Rating 10A

### Specifications

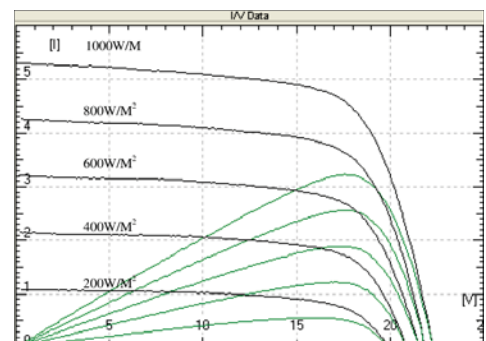
Cell	Multicrystalline silicon solar cell, (156mm x 104mm)
No. of cell and connection	36 (4x9)
Dimension	1014mm(39.9in) x 669mm(26.3in) x 35mm(1.38in)
Weight	9.0KG

### Ambient Conditions

Operating Temperature	-40°C to +85°C
Storage Humidity	<90%

### Output

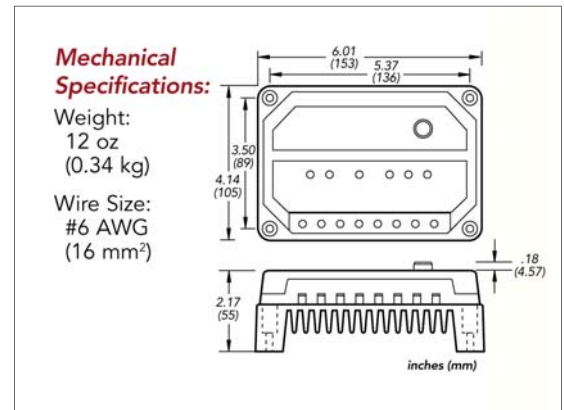
Type of output terminal	Junction box
Cable Length	



# PV Solar Charge Controller

## Key Features and Benefits:

- Versions available: 15 amp 12 / 24 volt negative or positive ground
- Estimated 15 year life
- PWM series battery charging (not shunt)
- 3-position battery select: gel, sealed or flooded
- Very accurate control and measurement
- Jumper to eliminate telecom noise
- Parallel for up to 300 amps
- Temperature compensation
- Tropicalization: conformal coating, stainlesssteel fasteners & anodized aluminum heat sink
- No switching or measurement in the grounded leg
- 100% solid state
- Very low voltage drops
- Current compensated low voltage disconnect (LVD)
- LED's indicate battery status and faults
- Capable of 25% overloads
- Remote battery voltage sense terminals



## Electrical Characteristics

Rated Solar Current	15A
Rated Load Current	15A
System Voltage	12/24V
<b>Options:</b>	
Digital Meter	Yes
Positive Ground	No
Remote Temp. Probe	Yes

## Battery Voltage Setpoints

	Gel	Sealed	Flooded
Regulation Voltage	14.0	14.15	14.4
	13.7	13.7	13.7
	n/a	14.35	14.9/15.1
	11.4	11.4	11.4
	12.6	12.6	12.6

Note: values are for 12V. Use 2X for 24V and 4X for 48V

## Electrical Specifications:

	12V
Temp. Comp. (mV/°C)*	-30mV
Accuracy	40mV
Min. voltage to operate	8V
Self-consumption	22mA
LVD current coefficient**	-20mV
charge algorithm	PWM, constant voltage
Operating temperature	-40°C to +60°C
<b>Digital Display</b>	
Operating Temperature	-30°C to +85°C
Voltage accuracy	0.5%
Current Accuracy	2.0%
Self-consumption	1mA

\* 25°C reference; \*\* per amp of load

*"Only when I saw the Earth from space,  
in all its ineffable beauty and fragility,  
did I realize that humankind's most urgent task is  
to cherish and preserve it for future generations."*

*- Sigmund Jahn  
German Cosmonaut*



**PlanetSun**  
PHOTOVOLTAIC SYSTEM  
**Beghelli**

[www.beghelli.com](http://www.beghelli.com)

Beghelli USA  
3250 Corporate Way  
Miramar, FL 33025  
P: 954 442 6600 / 800 726-4316  
F: 954 442 6677